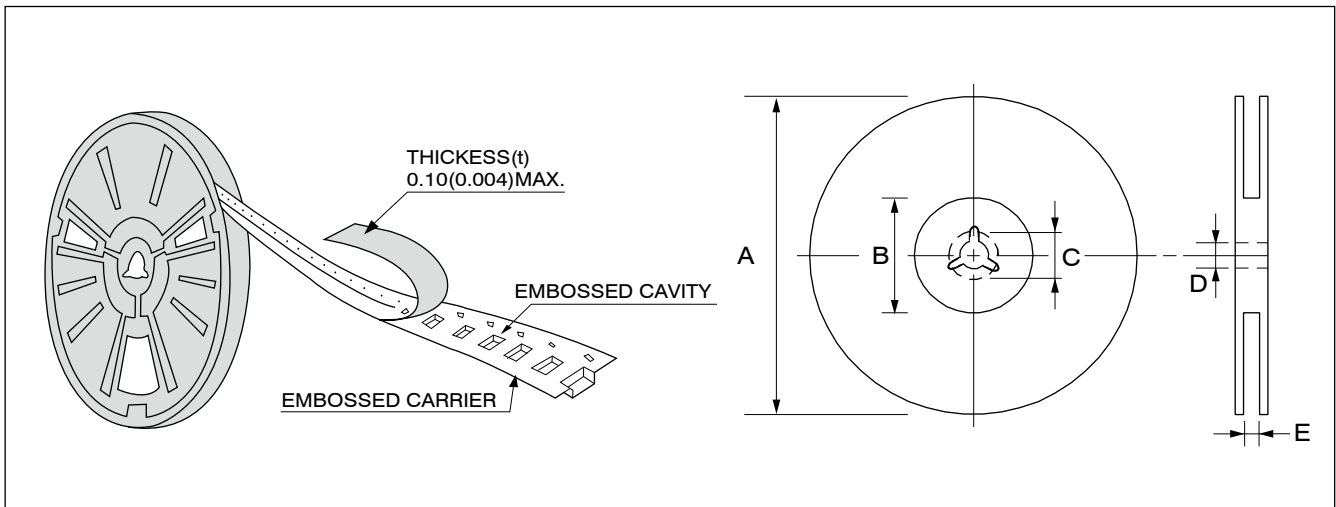


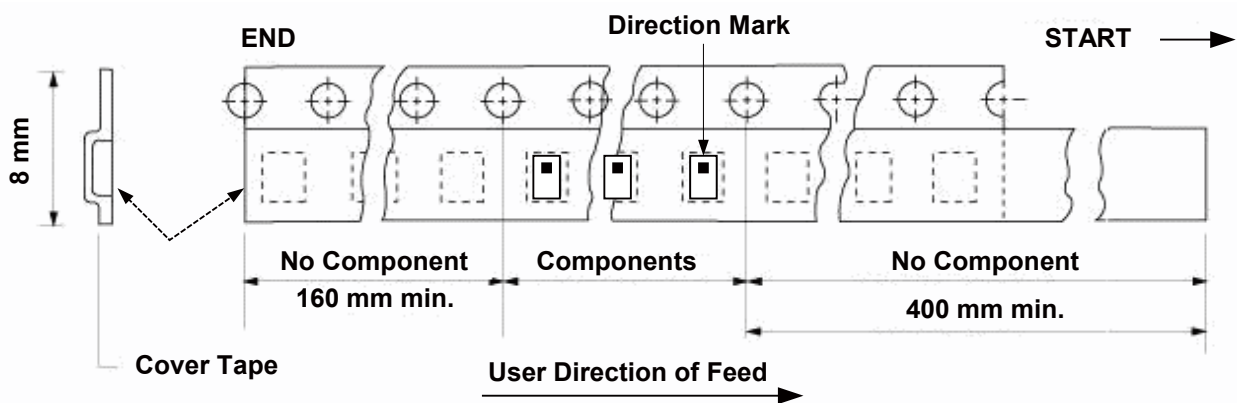
■ CARRIER TAPE REELS (Multilayer Product)



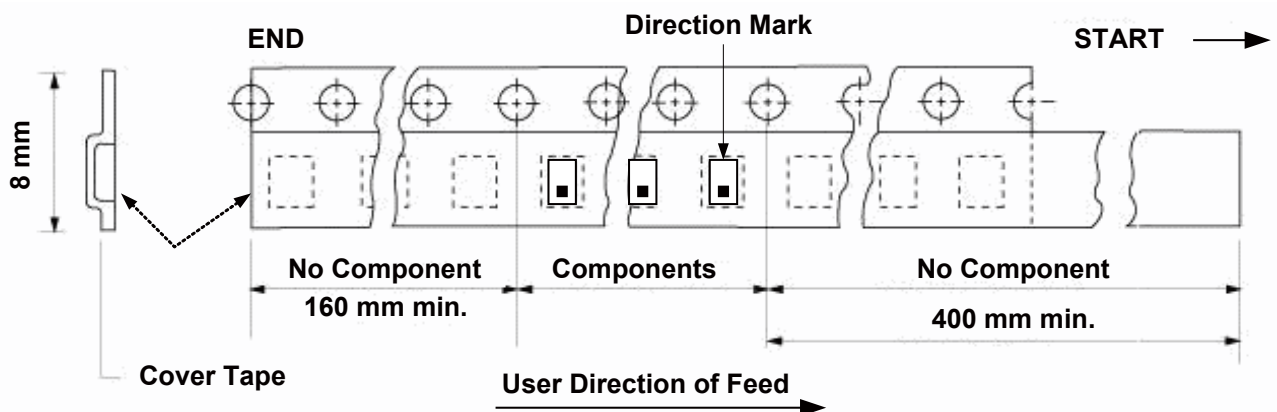
TYPE	A	B	C	D	E
8mm	178 ± 0.2	62 ± 0.2	20.2 ± 0.1	13.0 ± 0.1	9.0 ± 0.1
12mm	178 ± 0.3	60 ± 0.2	19.3 ± 0.1	13.5 ± 0.1	13.6 ± 0.1

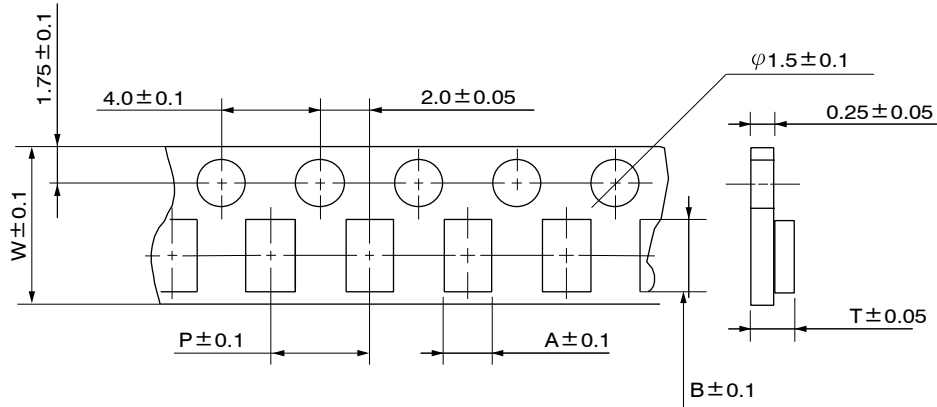
NOTES: 1. Dimension in mm
 2. Material: Paper, Plastic

■ LTL/LTB/LTD/LTU/LTC/BBF/CBA Series



■ LTA/DBA Series





TYPE	SIZE	A (in mm)	B (in mm)	W (in mm)	P (in mm)	T (in mm)	CHIPS/REEL
LTL	1608	1.1	1.9	8	4	1.1	4000
	2012	1.5	2.3	8	4	1.3	4000
LTB	2520	2.3	2.8	8	4	1.3	3000
LTU	3216	1.9	3.5	8	4	1.5	3000
LTD	3225	2.9	3.6	8	4	1.7	2500
BBF	5220	4.0	5.3	16	8	1.35	3000
LTC	5320	4.0	5.3	16	8	1.35	3000
LTA	5724	4.0	6.0	16	8	1.35	5000
DBA	5824	2.8	6.2	12	8	1.2 ± 0.1	5000
	6025	2.8	6.2	12	8	1.2 ± 0.1	5000
CBA	7040	4.15	7.2	12	8	0.95 ± 0.1	2000
	0804	4.25	8.3	14	8	3.3 ± 0.1	2000
	1204	4.35	12.4	24	8	3.9 ± 0.1	2000
	1205	5.40	12.4	24	8	3.9 ± 0.1	1000
	2002	2.35	20.4	32	8	3.85 ± 0.10	2000
	2005	5.3	20.3	32	8	3.80 ± 0.10	1000